
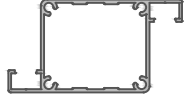
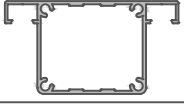


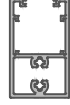

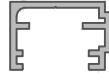


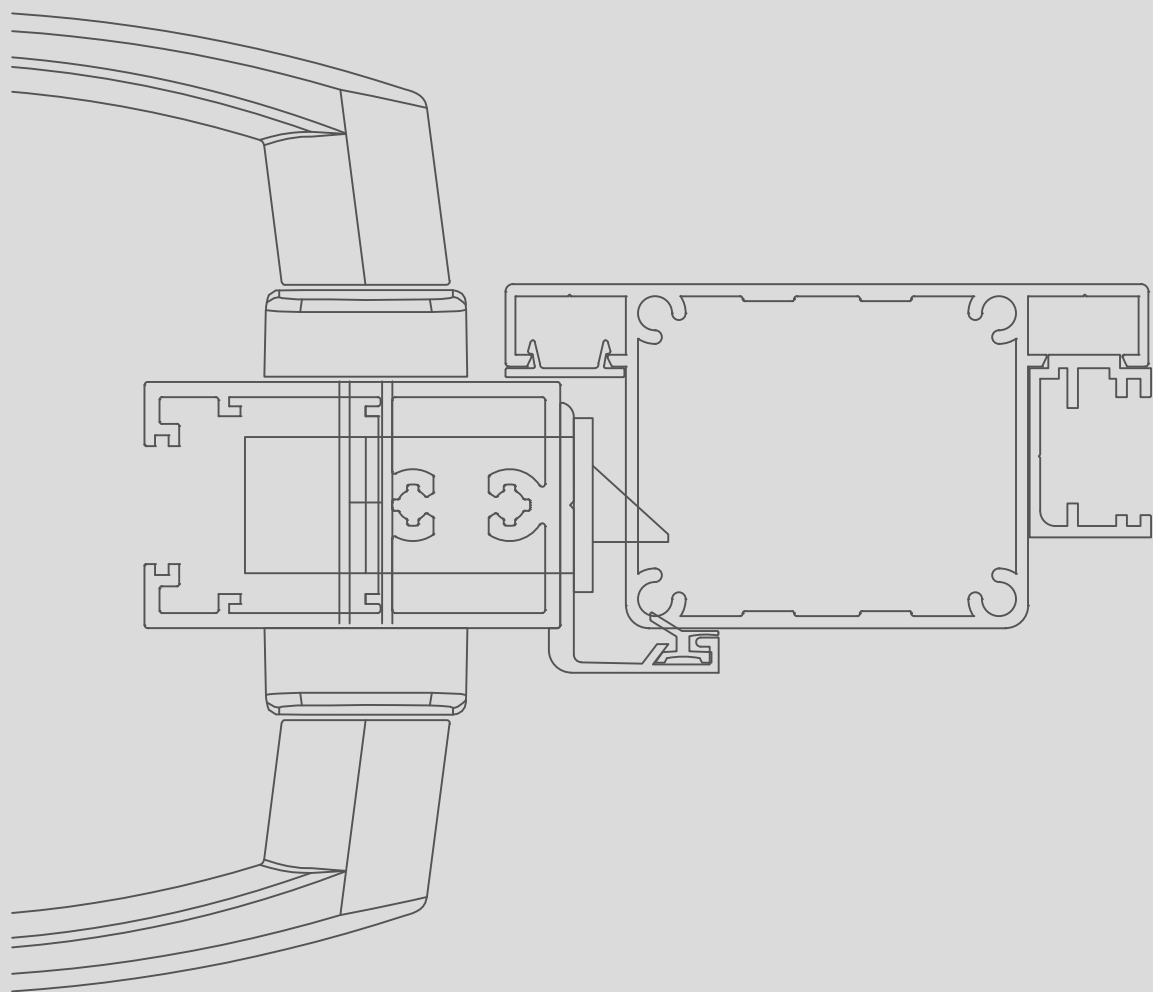


## **SF 100 PROFİL LİSTESİ**

SF 100 PROFILES INDEX

PROFİL NUM. PROFILE NO.	TANIM DESCRIPTION	ÇİZİM DRAWING	SAYFA PAGE
19185	BÜYÜK DİKME PROFİLİ FENCE POST PROFILE		9
18993	Z DİKME PROFİLİ Z FENCE POST PROFILE		9
18994	T DİKME PROFİLİ T FENCE POST PROFILE		9
18995	15x120 MM LAMEL PROFİL 15x120 MM PARTITION SIDING FENCE PROFILE		10
18996	OVAL LAMEL PROFİLİ ELLIPTIC WALL FLANGE PROFILE		10
19186	KANAT PROFİLİ SASH PROFILE		10
19187	KAPI ADAPTÖR PROFİLİ DOOR ADAPTOR PROFILE		10
18998	ADAPTÖR PROFİLİ ADAPTOR PROFILE		10
18997	KAPAK PROFİLİ COVER PROFILE		10
18999	ÇİTA PROFİLİ BEAD PROFILE		10



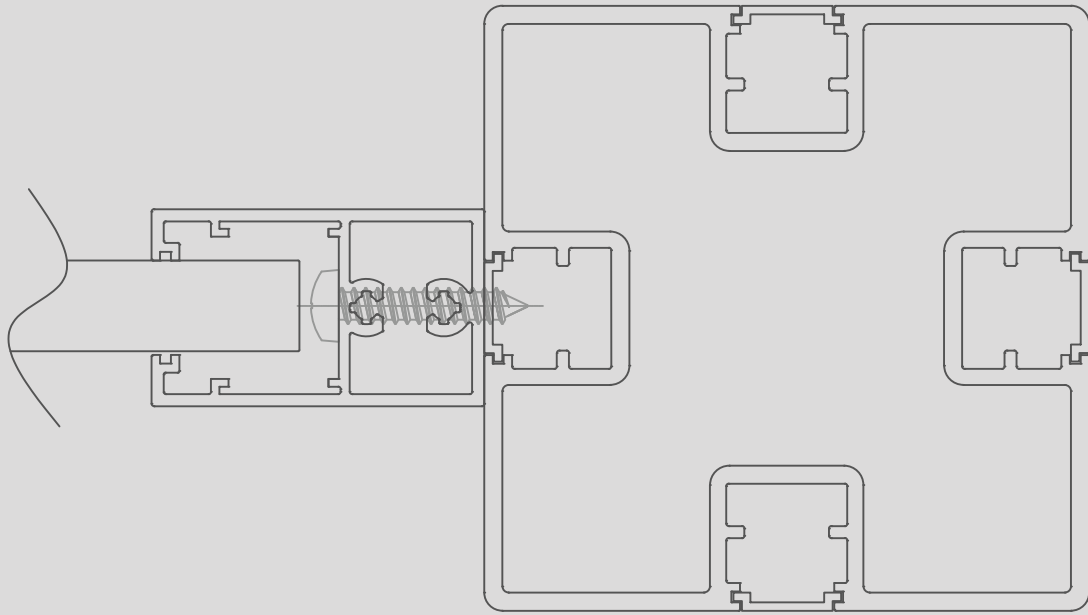


**SF 100 AKSESUARLARI**

**SF 100 ACCESSORIES**

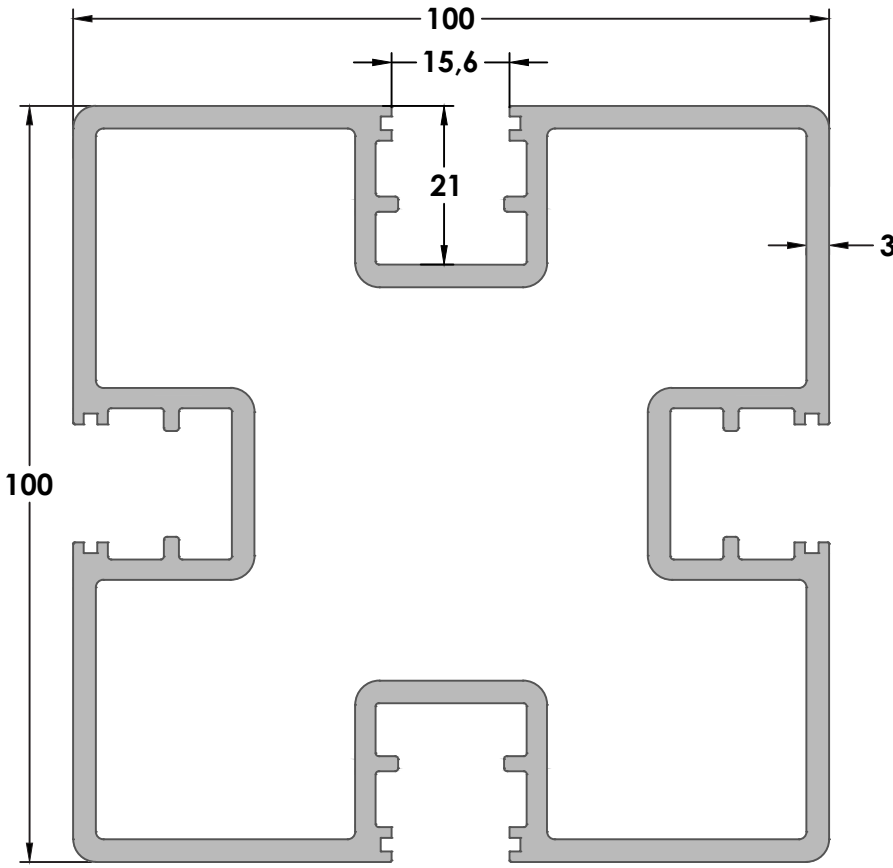
AKSESUAR KODU ACCESSORY CODE	MALZEME TANIMI DESCRIPTION	ÇİZİM DRAWING	MALZEME MATERIAL
SF A 001	DİKME PROFİL KAPAĞI / MULLION PROFILE CAP		PVC PVC
SF A 002	DİKME PROFİL KAPAĞI (100'LÜK)/ MULLION PROFILE CAP		ZAMAK DIE CAST ZAMAK
SF ANK 01	KÜÇÜK DİKME ANKRAJ/ ANCHOR		ZAMAK DIE CAST ZAMAK
ST A 3023	KÖŞE ONBAŞI / SASH CORNER JOINT		ALÜMİNYUM ALUMINIUM
Epil 04-02	BİNİ FİTİLİ / STEP GASKET KOLİ MİKTARI / PACKAGE QUANTITY: 100 m		EPDM EPDM
SF ANK 02	BÜYÜK DİKME ANKRAJ (200 MM)/ ANCHOR (200 MM)		ÇELİK STEEL
SF ANK 03	BÜYÜK DİKME ANKRAJ (500 MM)/ ANCHOR (500 MM)		ÇELİK STEEL
SC-960	KELEBEK MENTEŞE / HINGE KOLİ MİKTARI / PACKAGE QUANTITY:10 ad		ALÜMİNYUM ALUMINIUM



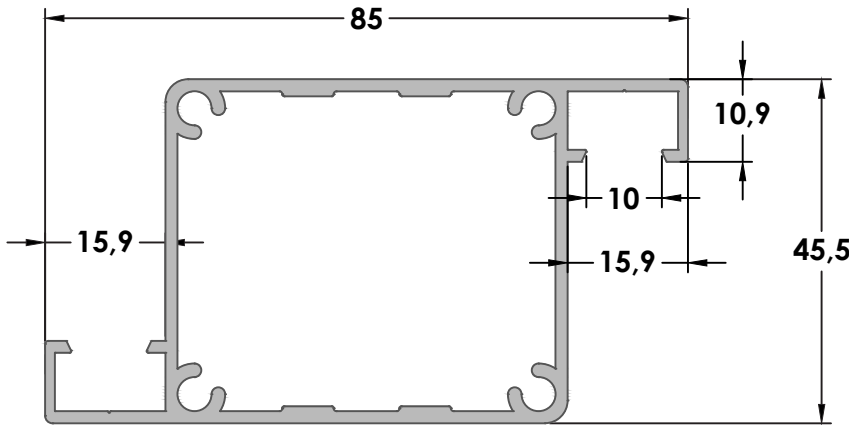


**SF 100 PROFİLLERİ**

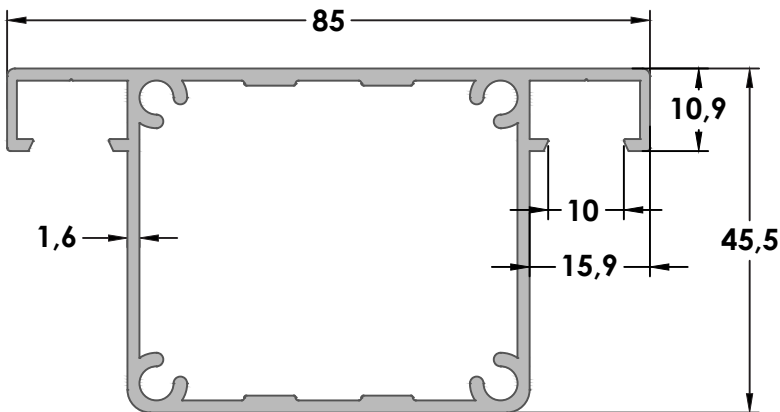
SF 100 PROFILES



<b>19185</b>		
<b>JX</b> (cm <sup>4</sup> )	$\begin{array}{c} y \\   \\ x \end{array}$	<b>JY</b> (cm <sup>4</sup> )
205,75		205,75
<b>AĞIRLIK / WEIGHT</b> (KG/M)		
4,615		

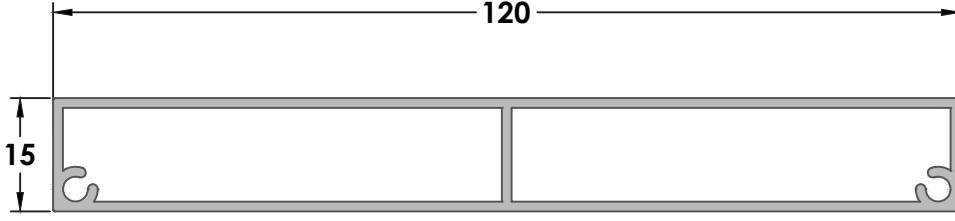


<b>18993</b>		
<b>JX</b> (cm <sup>4</sup> )	$\begin{array}{c} y \\   \\ x \end{array}$	<b>JY</b> (cm <sup>4</sup> )
13,08		29,98
<b>AĞIRLIK / WEIGHT</b> (KG/M)		
1,245		



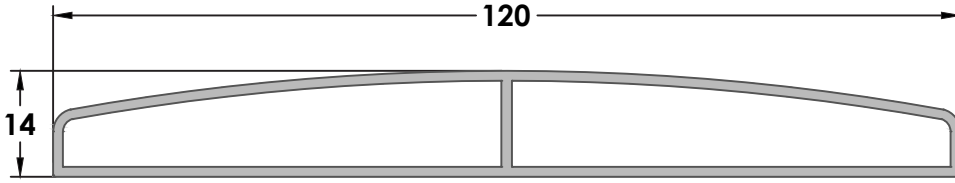
<b>18994</b>		
<b>JX</b> (cm <sup>4</sup> )	$\begin{array}{c} y \\   \\ x \end{array}$	<b>JY</b> (cm <sup>4</sup> )
13,08		29,98
<b>AĞIRLIK / WEIGHT</b> (KG/M)		
1,245		





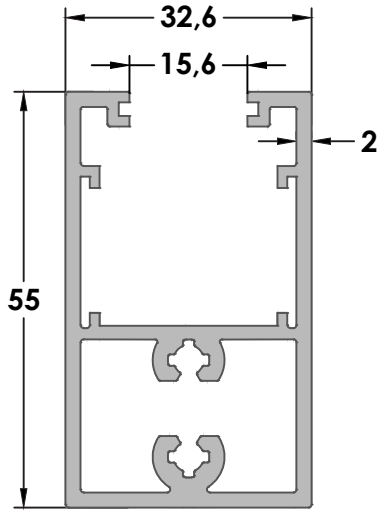
**18995**

**AĞIRLIK / WEIGHT**  
(KG/M)  
1,015



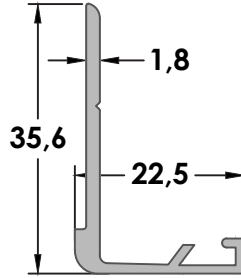
**18996**

**AĞIRLIK / WEIGHT**  
(KG/M)  
0,930



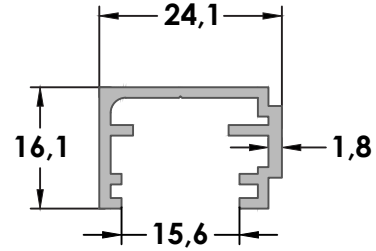
**19186**

<b>JX</b> (cm <sup>4</sup> ) 13,87	<b>y</b>   <b>x</b>	<b>JY</b> (cm <sup>4</sup> ) 6,60
<b>AĞIRLIK / WEIGHT</b> (KG/M) 1,230		



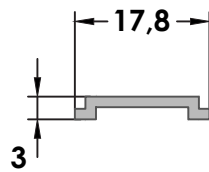
**19187**

**AĞIRLIK / WEIGHT**  
(KG/M)  
0,285



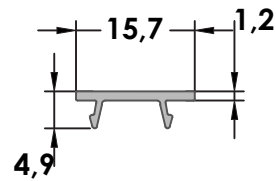
**18998**

**AĞIRLIK / WEIGHT**  
(KG/M)  
0,285



**18997**

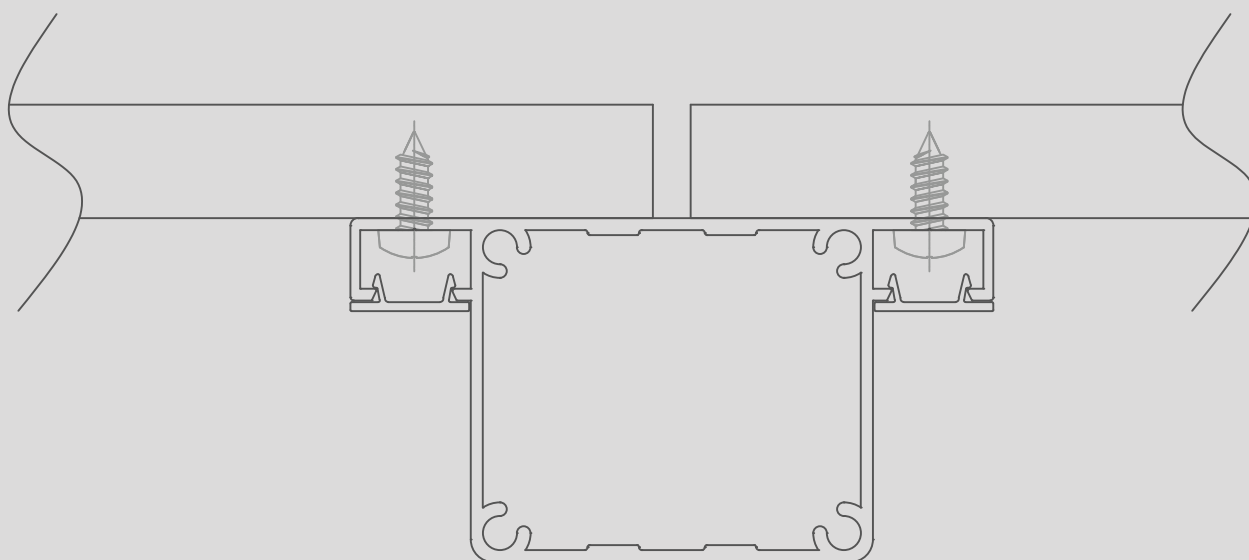
**AĞIRLIK / WEIGHT**  
(KG/M)  
0,080



**18999**

**AĞIRLIK / WEIGHT**  
(KG/M)  
0,070

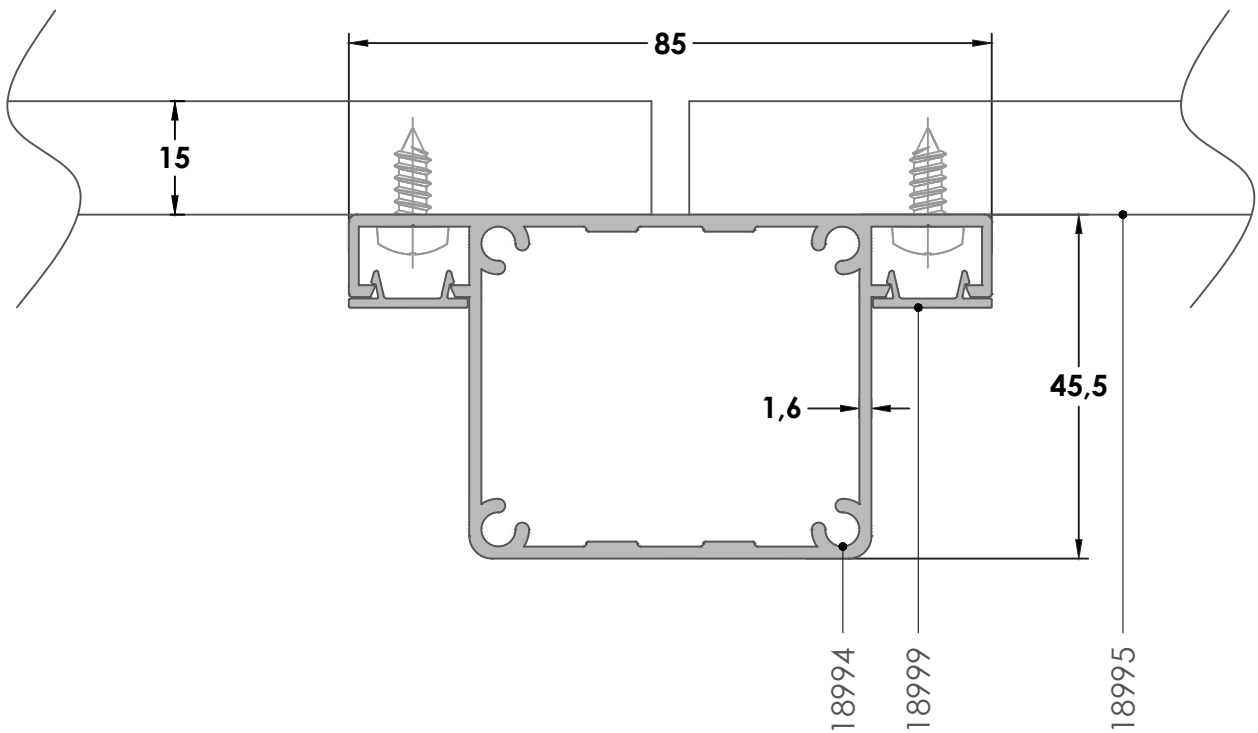
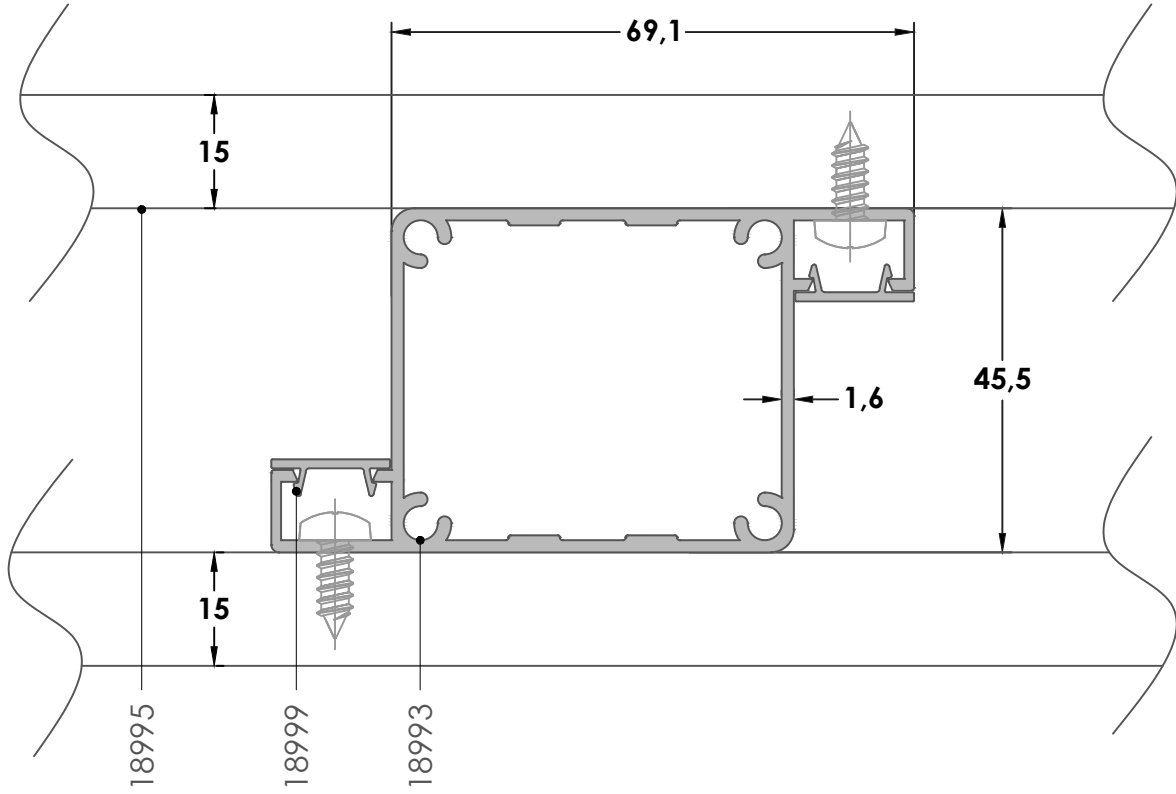
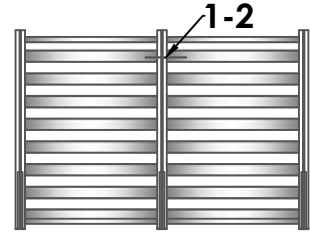




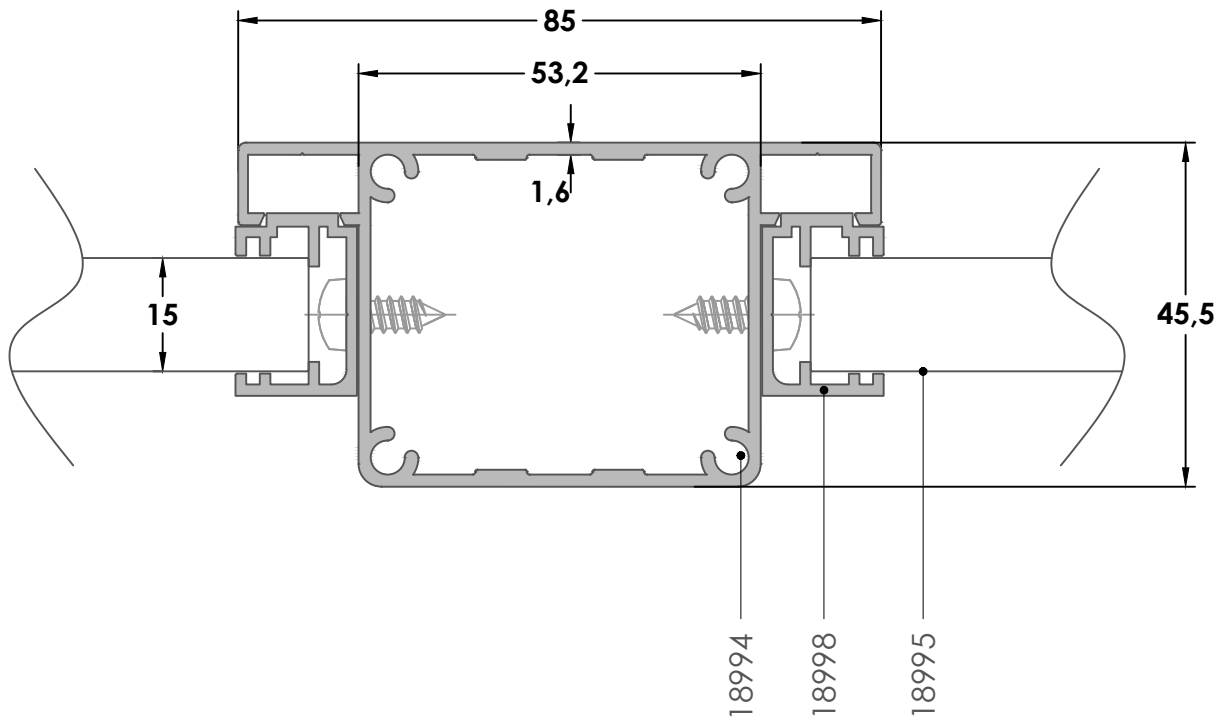
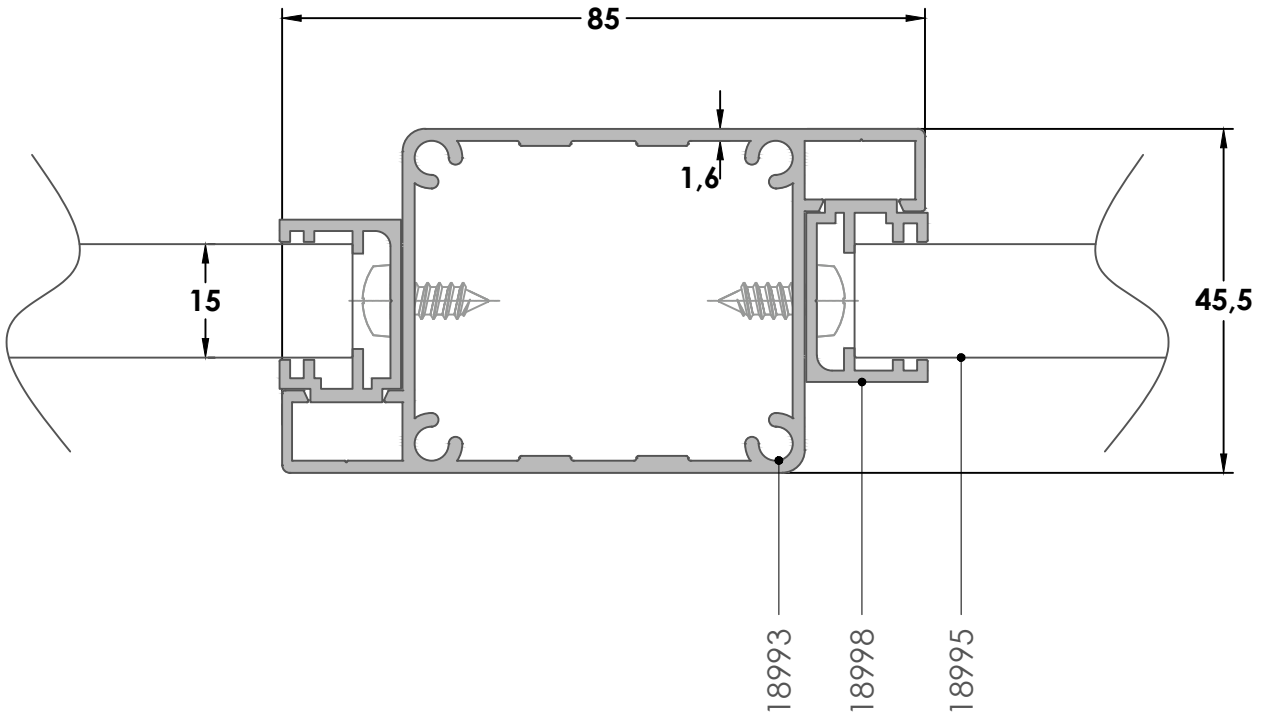
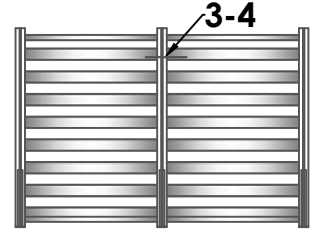
**SF 100 DETAYLARI**

SF 100 DETAILS

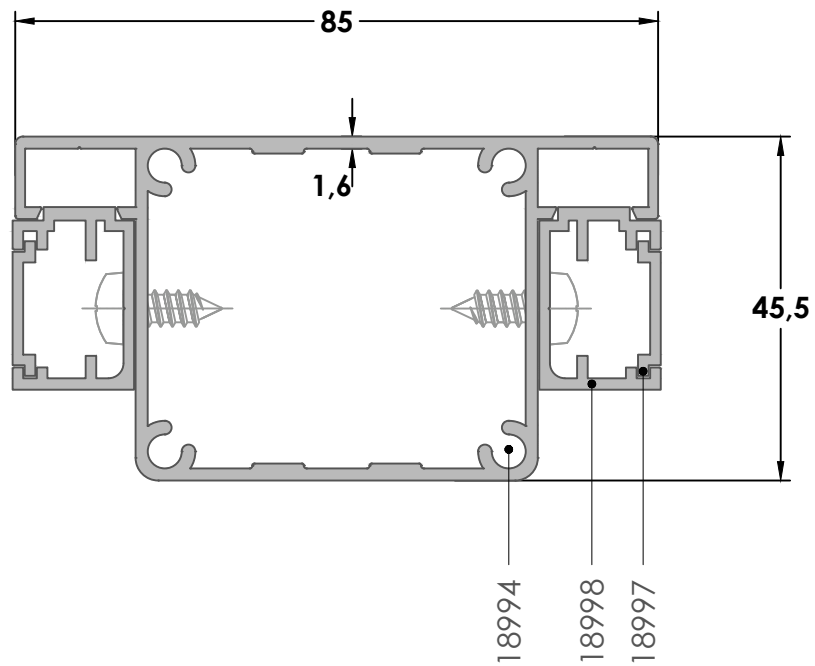
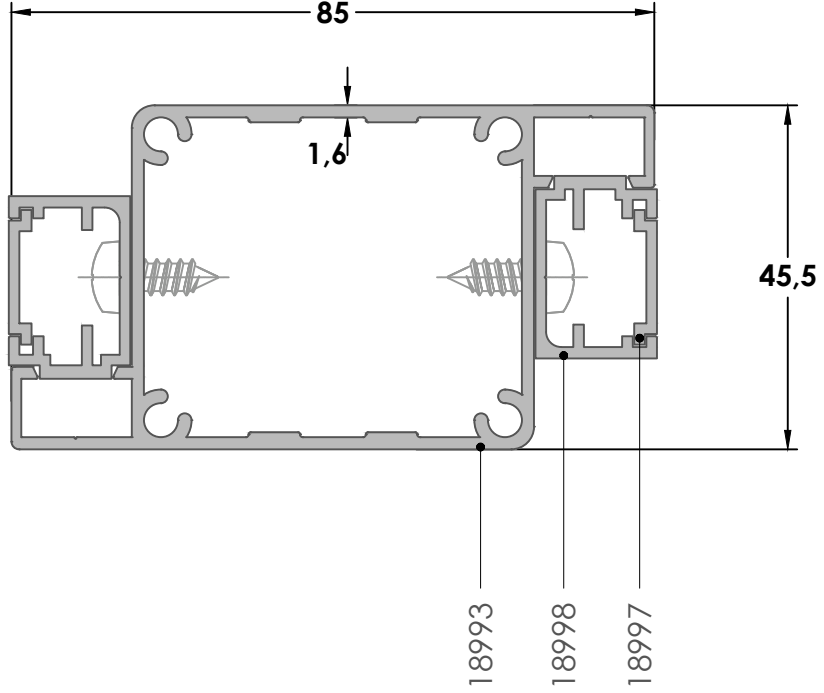
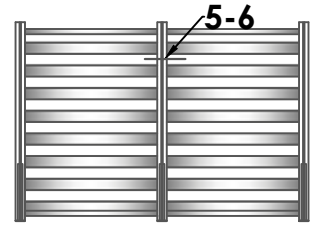
1-2  
Detay-Detail



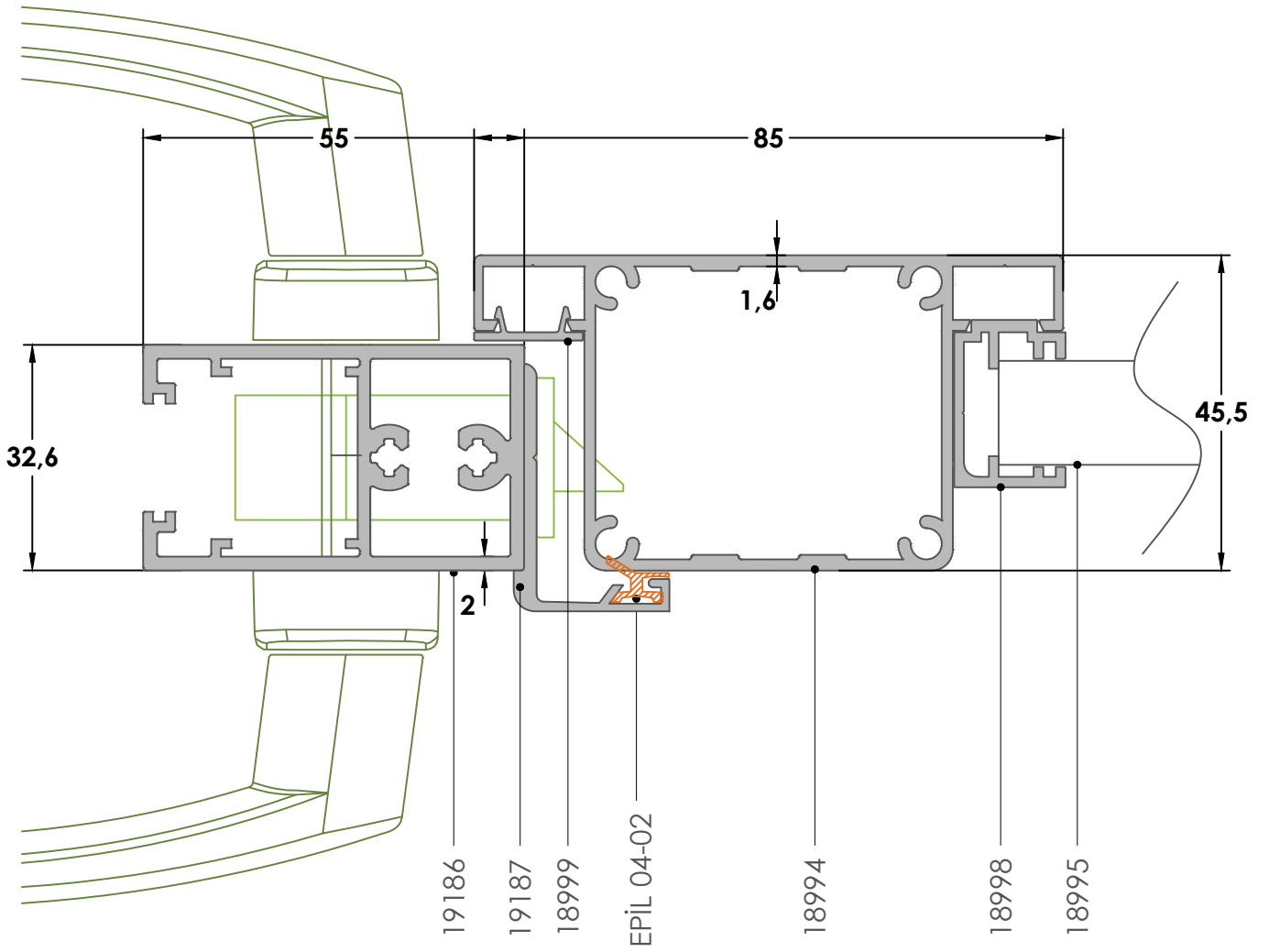
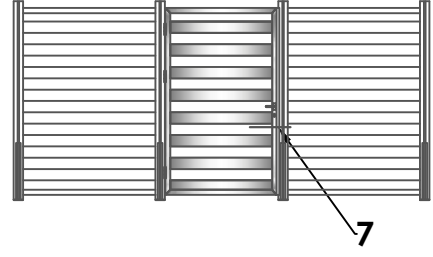
3-4  
Detay-Detail



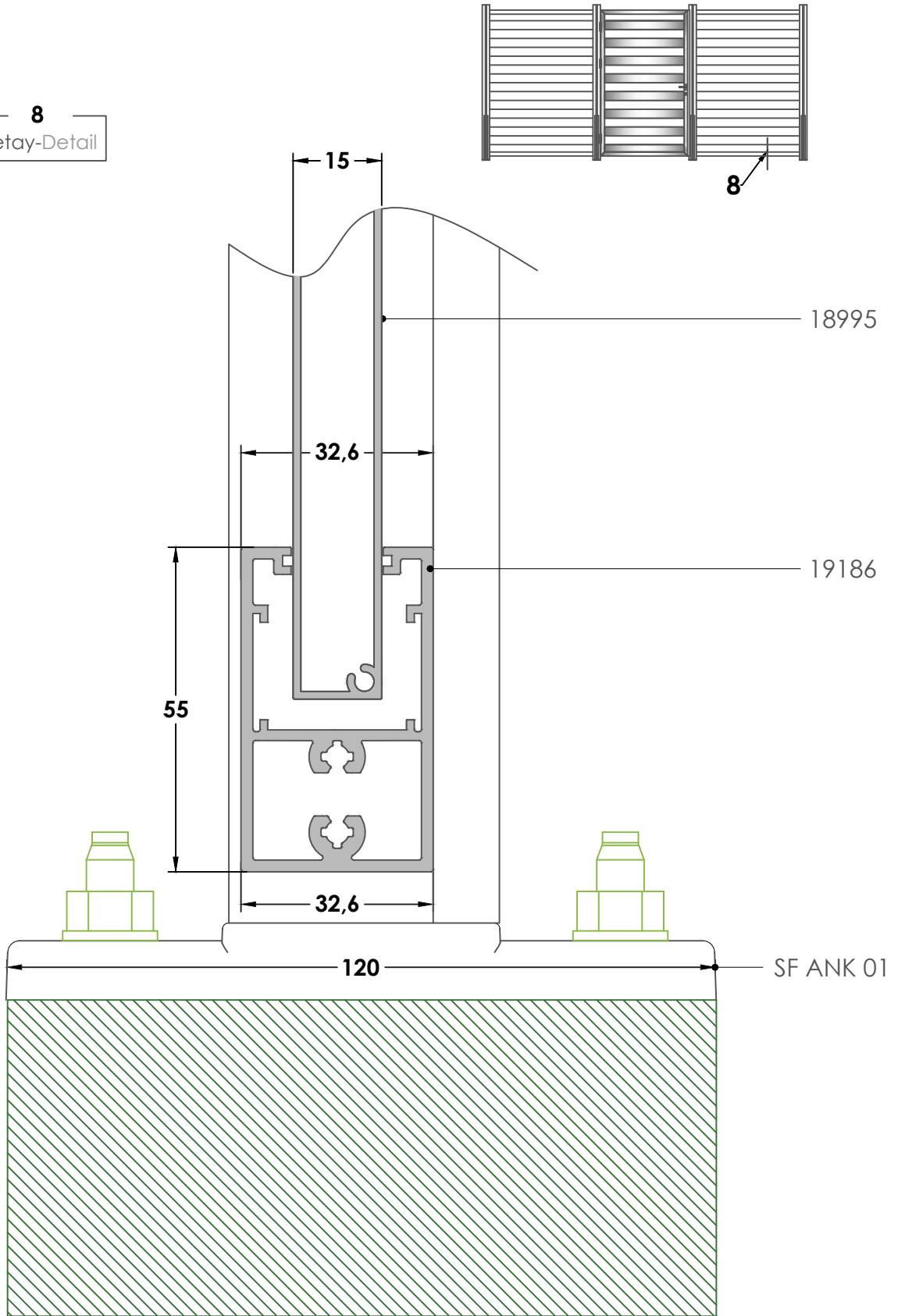
5-6  
Detay-Detail



7  
Detay-Detail

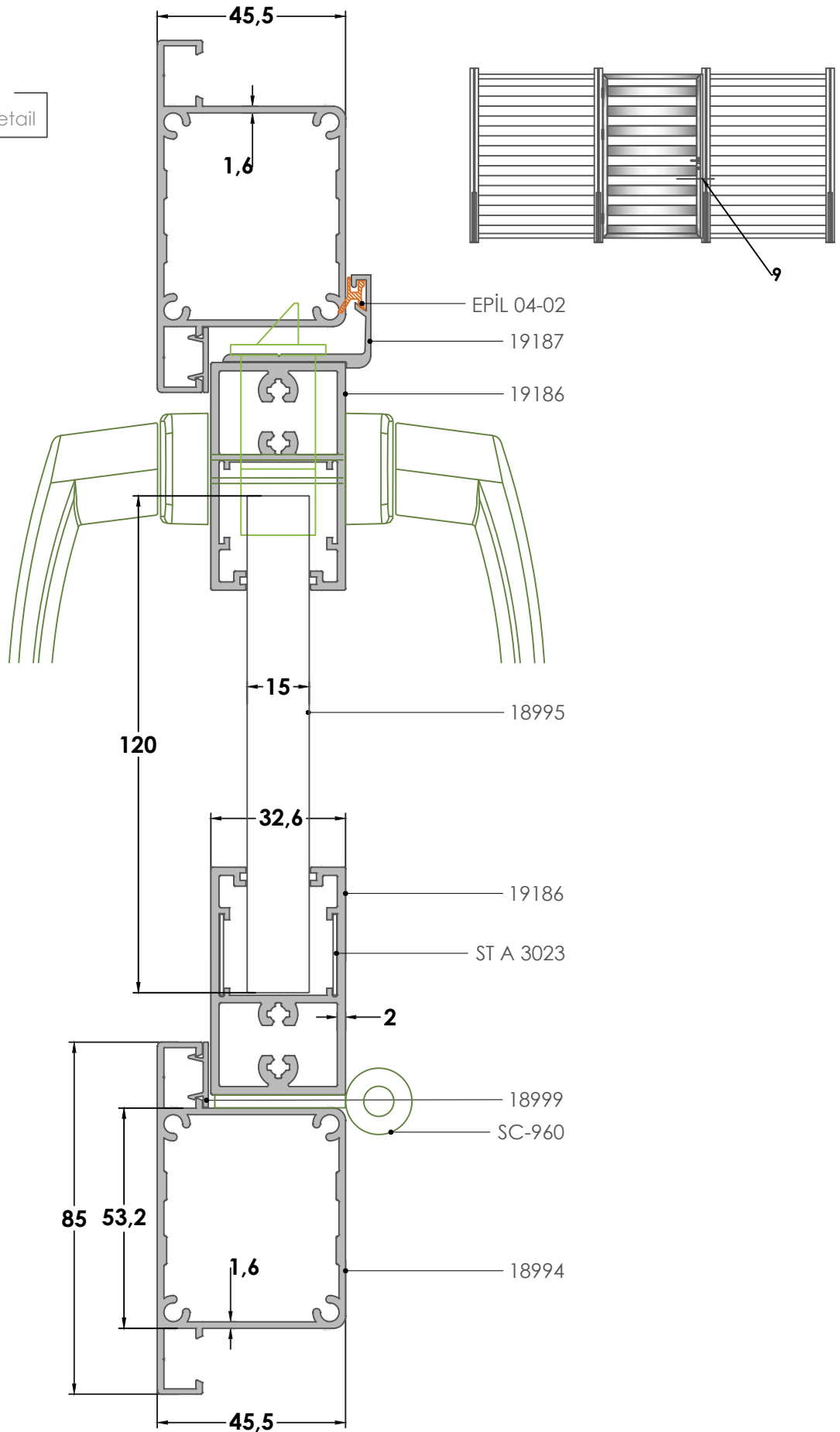


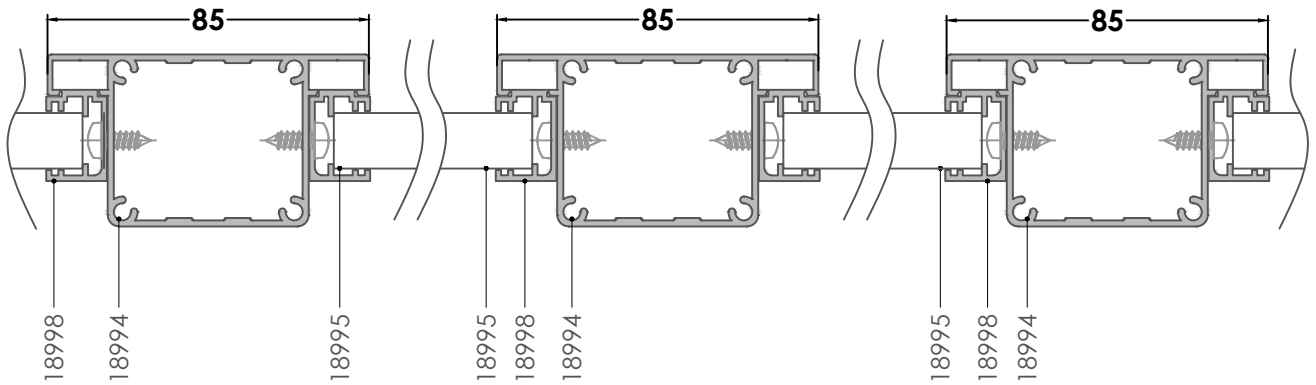
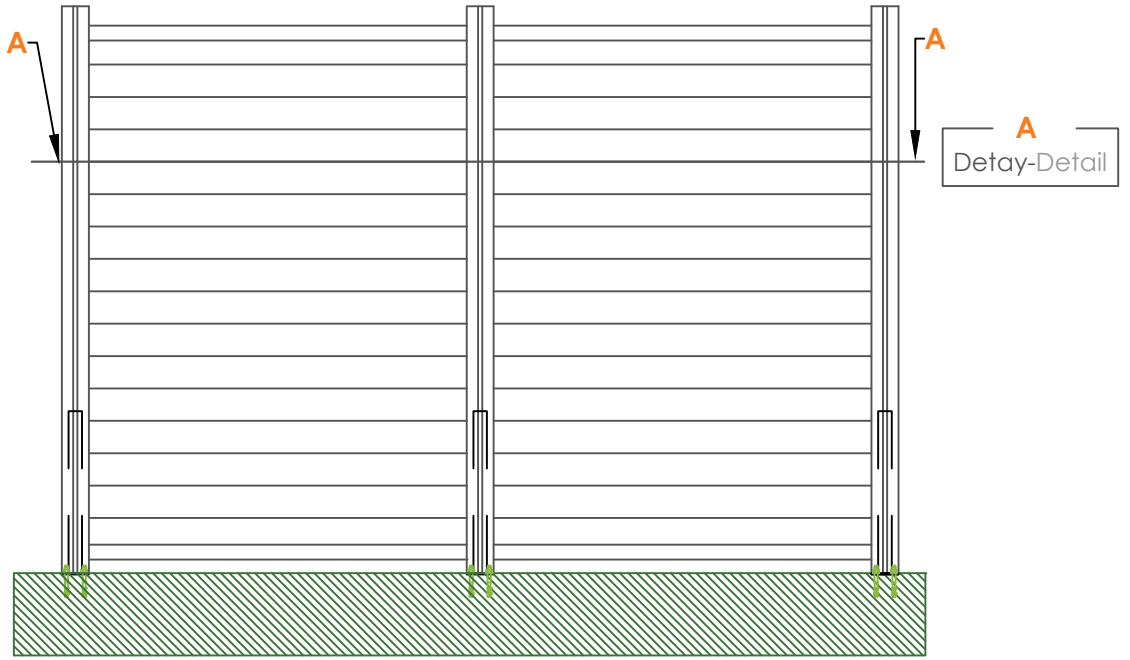
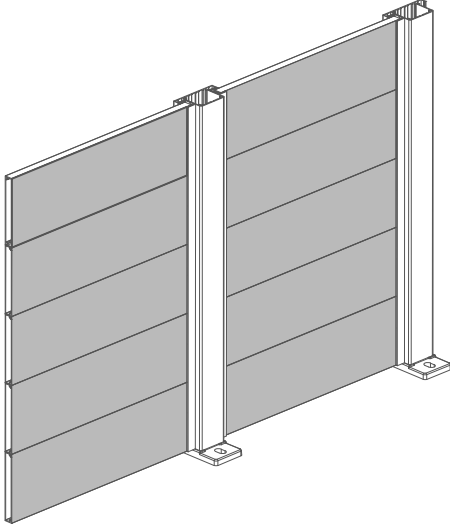
8  
Detay-Detail



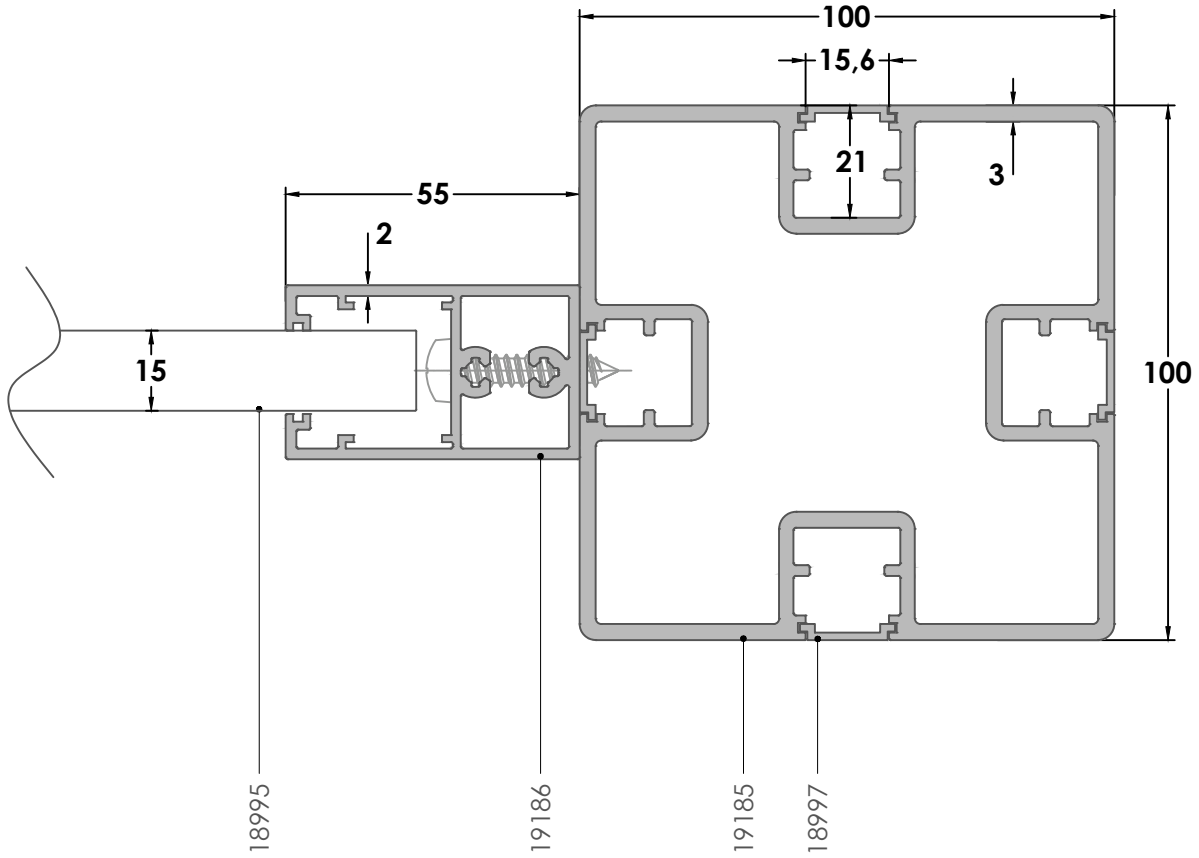
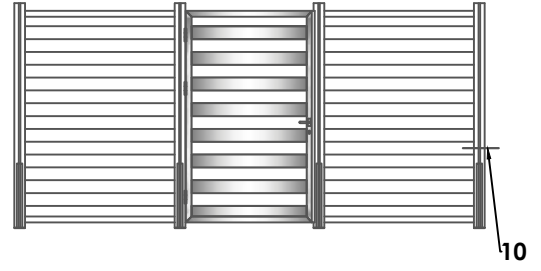


9  
Detay-Detail

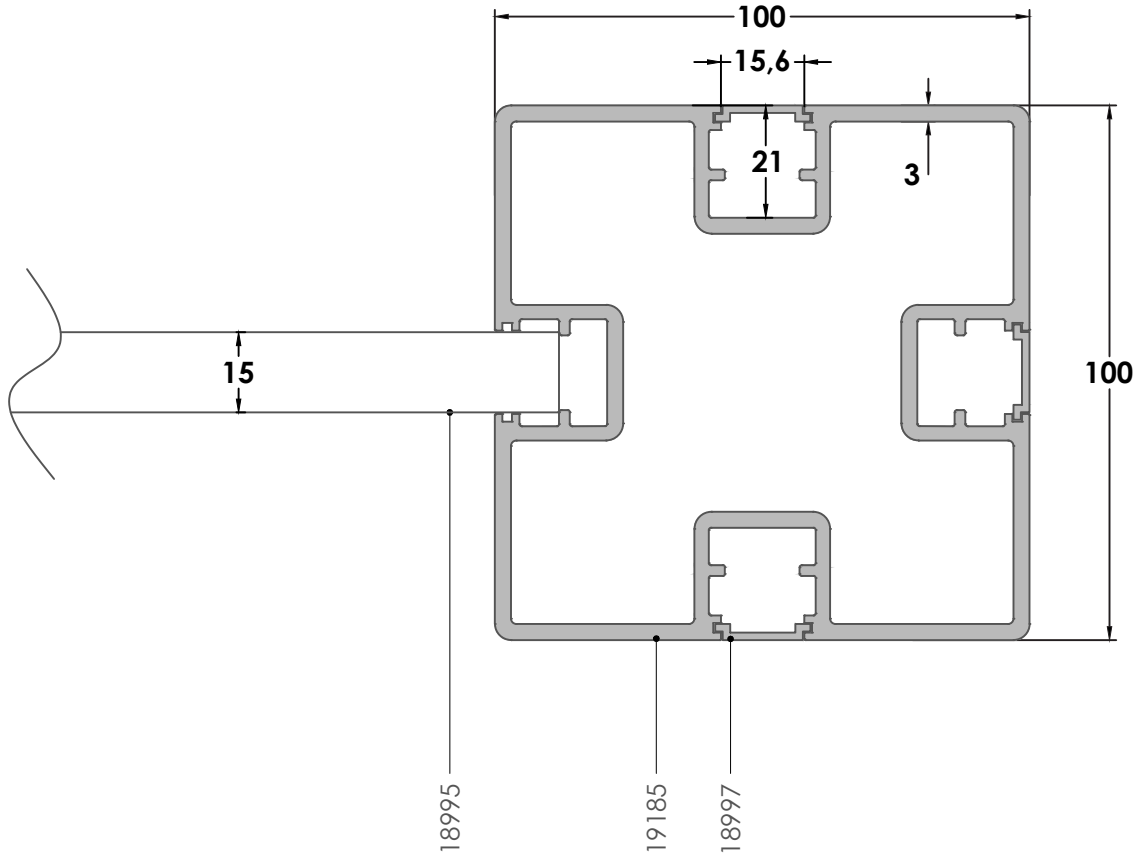
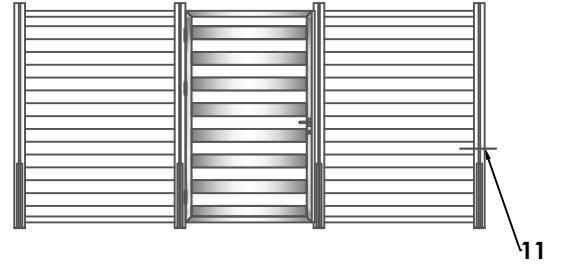


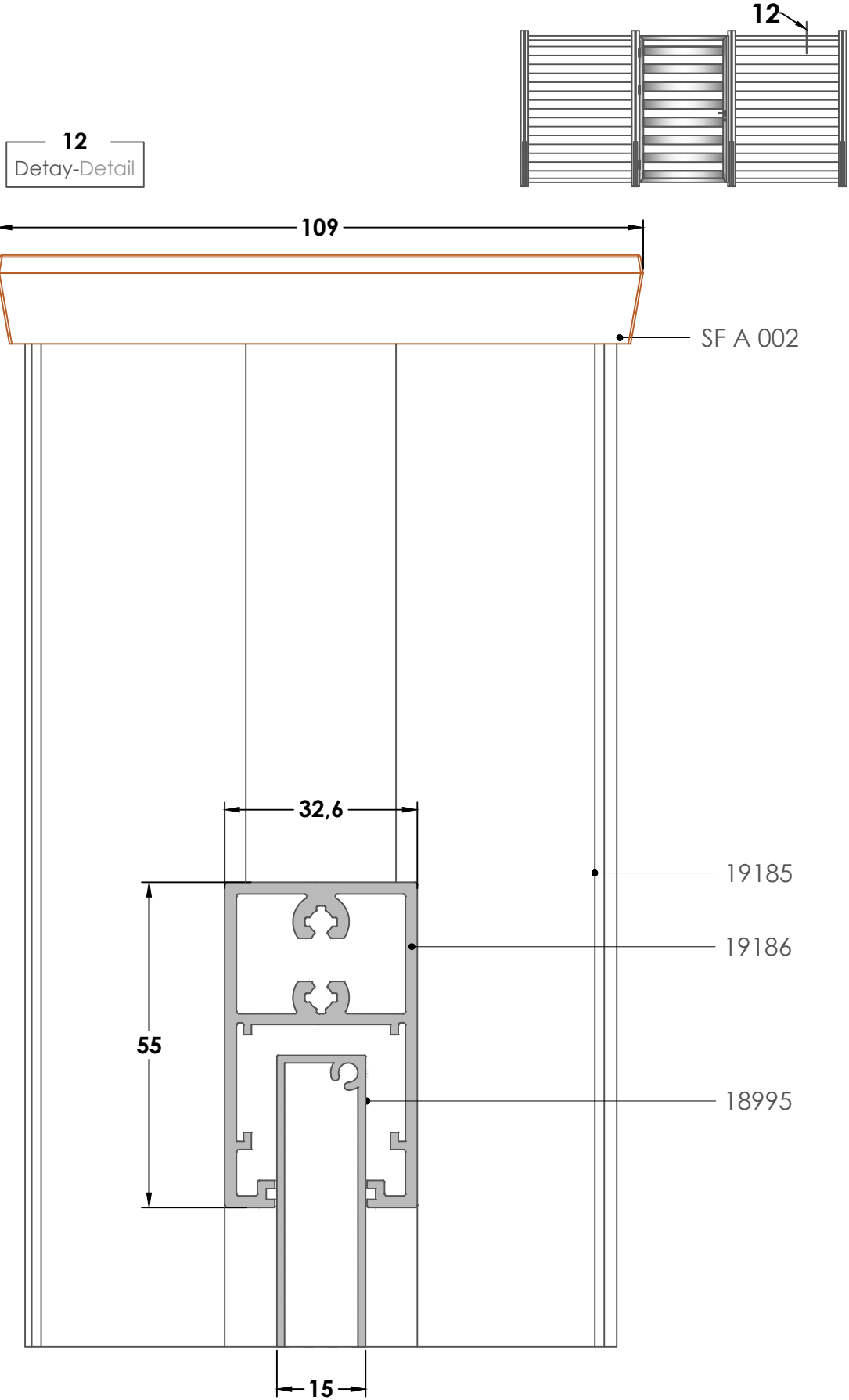


**10**  
Detay-Detail

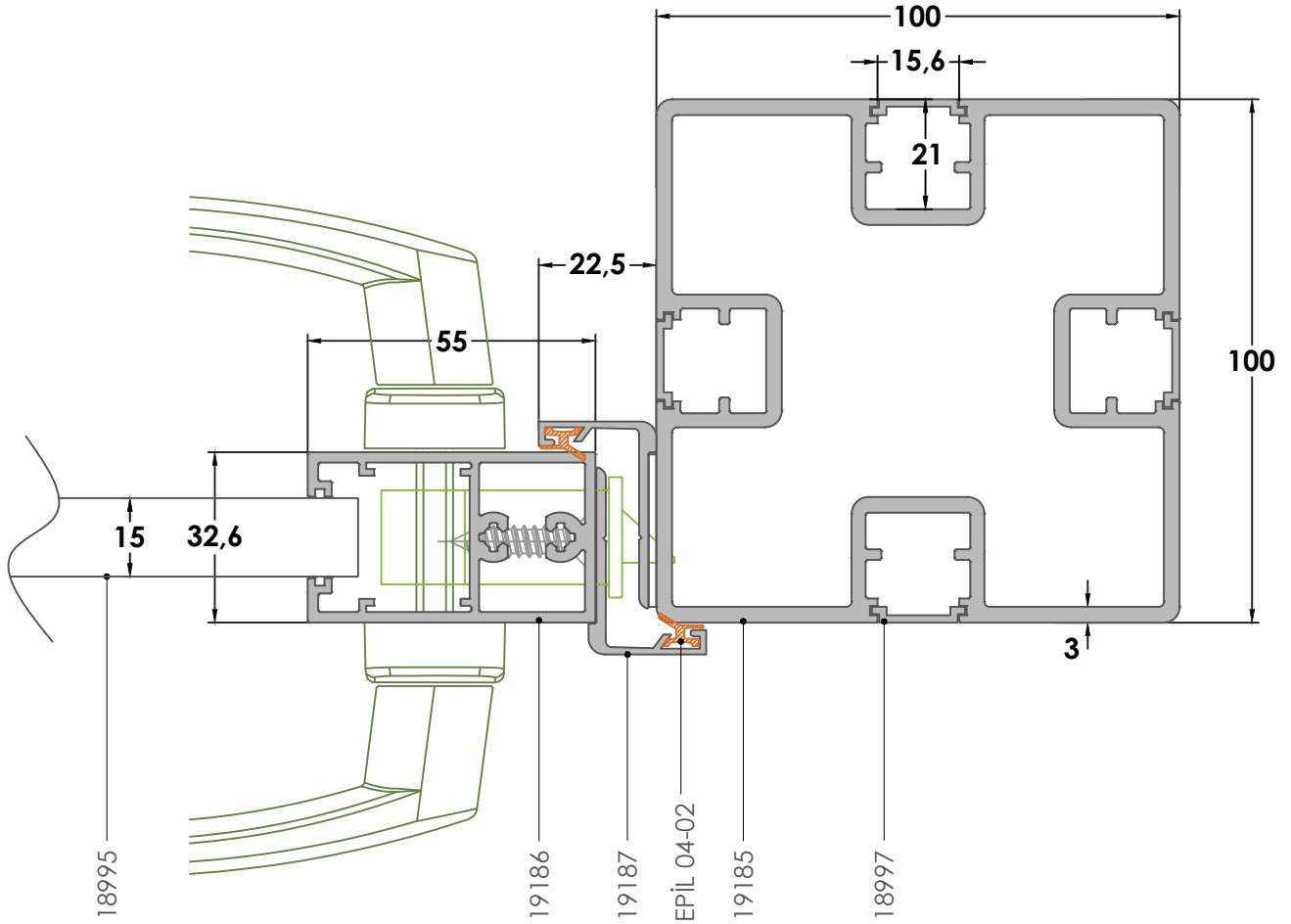
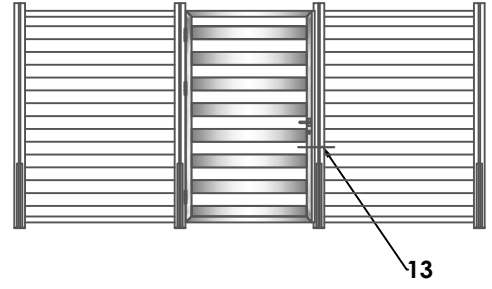


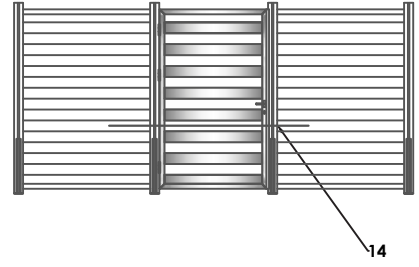
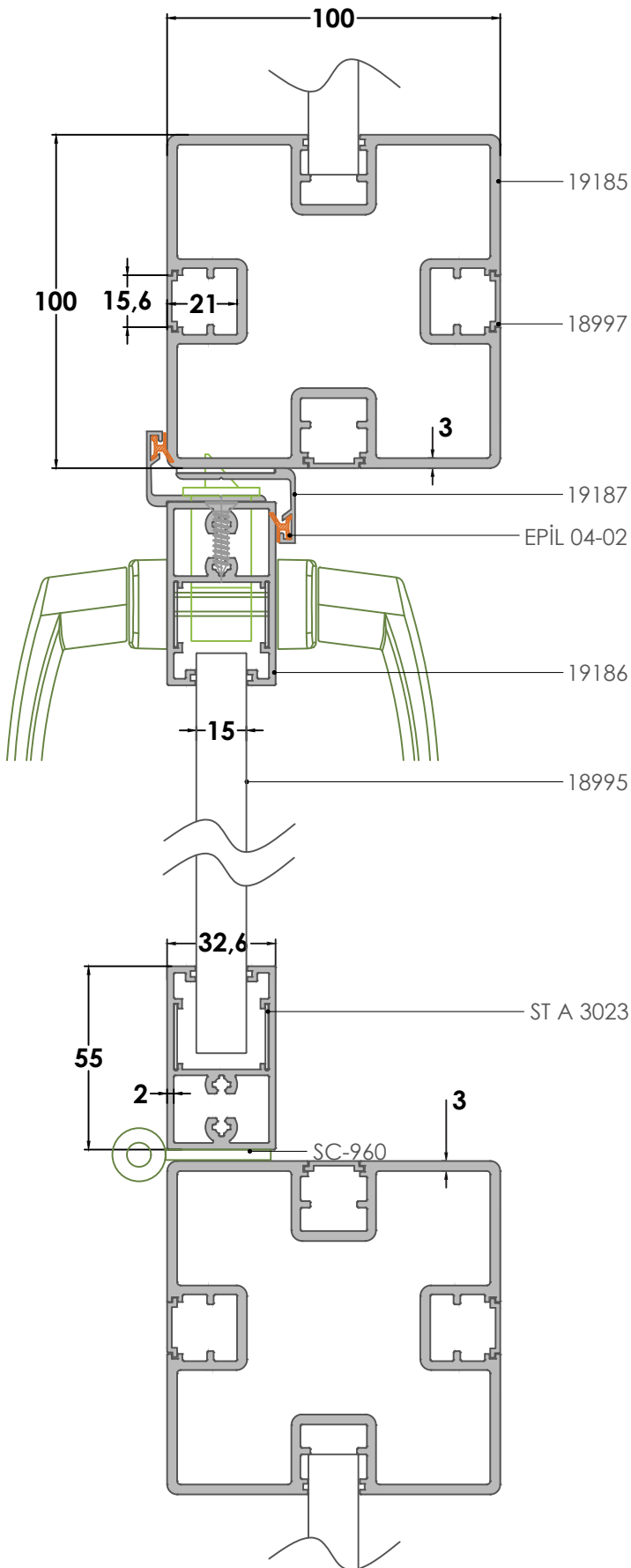
**11**  
Detay-Detail



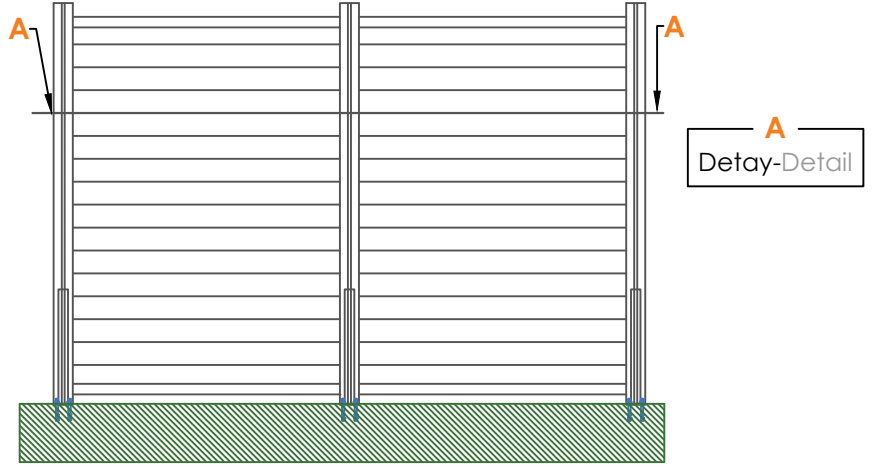
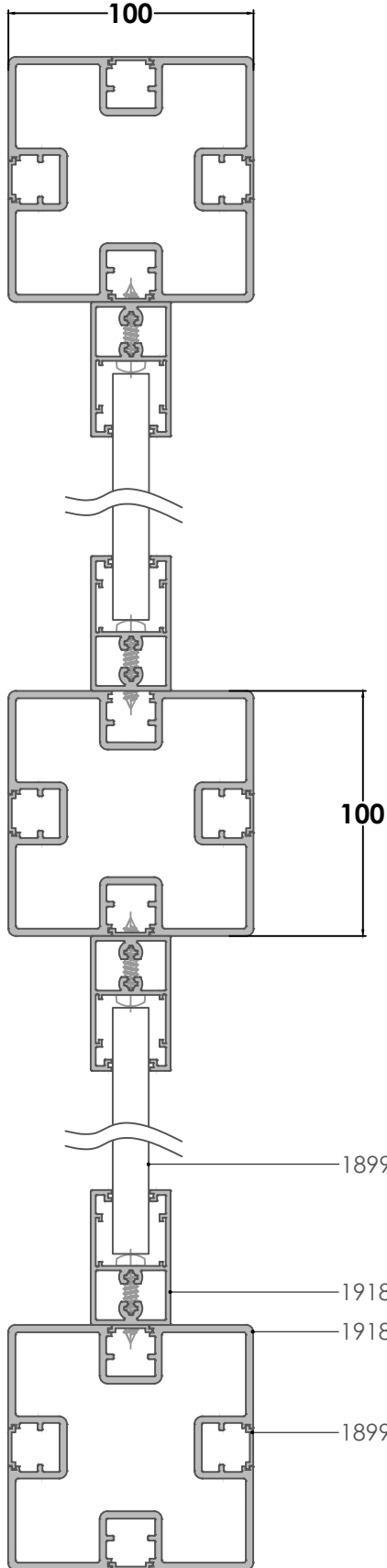


**13**  
Detay-Detail

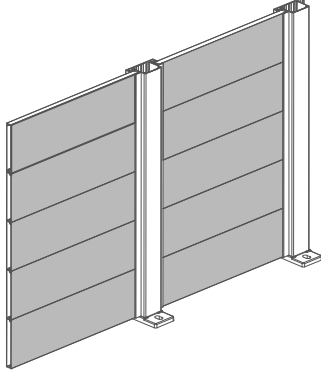




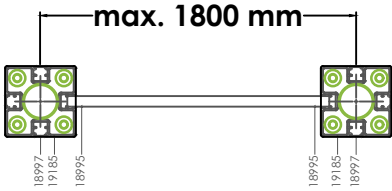
**14**  
Detay-Detail



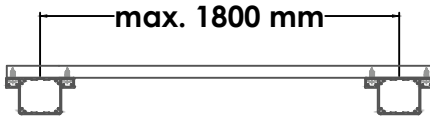




		GENİŞLİK - WIDTH						
		1200 mm	1300 mm	1400 mm	1500 mm	1600 mm	1700 mm	1800 mm
YÜKSEKLİK - HEIGHT	1800 mm	+	+	+	+	+		
	1700 mm	+	+	+	+	+	+	
	1600 mm	+	+	+	+	+	+	+
	1400 mm	+	+	+	+	+	+	+
	1200 mm	+	+	+	+	+	+	+
	1000 mm	+	+	+	+	+	+	+
	900 mm	+	+	+	+	+	+	+

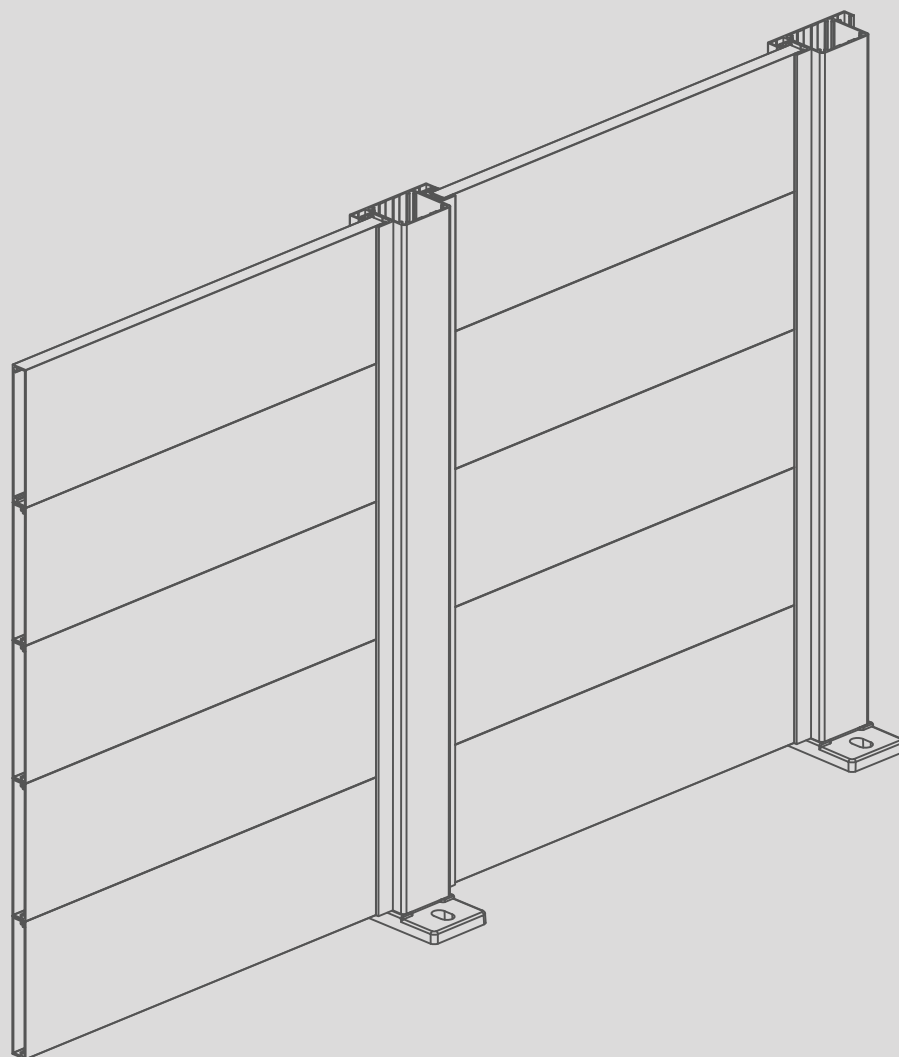


		GENİŞLİK - WIDTH						
		1200 mm	1300 mm	1400 mm	1500 mm	1600 mm	1700 mm	1800 mm
YÜKSEKLİK - HEIGHT	1800 mm							
	1700 mm							
	1600 mm							
	1400 mm							
	1200 mm	+	+	+	+			
	1000 mm	+	+	+	+			
	900 mm	+	+	+	+			





**KLEIDCO®**



**SF 100 MONTAJ**

**SF 100 ASSEMBLY**

